



**NATIONAL INSTITUTE OF TECHNOLOGY
TIRUCHIRAPPALLI - 620 015**

DEPARTMENT OF PRODUCTION ENGINEERING

NOTICE INVITING QUOTATION

File No.	NITT/F.NO.028/CAPEX/2021-22/PRO	Date:	7.03.2022
----------	---------------------------------	-------	-----------

To

(Supplier Address)

Sealed quotations are invited from reputed Authorized Dealers / manufacturers for the supply of the Items.

Name of the Item	:	Tools & Dies For Research
Quantity Required	:	1
Specification	:	(As per enclosed Schedule Annexure – I)
1. Quotation Reference No.	:	NITT/F.NO.028/CAPEX/2021-22/PRO
2. Last date and Time for receipt of quotation	:	28.03.2022 before 4.30 PM
3. Date & Time of opening of Quotation	:	29.03.2022 at 03.00 PM
4. EMD Amount	:	Rs. 1,496 (2%)
5. Validity (Days)	:	90 Days
6. Address to which quotations are to be sent	:	The Director, National Institute of Technology, Tiruchirappalli – 620 015, Tamil Nadu, India
Kind attention to	:	Dr.V.Anandakrishnan
Phone	:	0431 250 3500
E-mail	:	krishna@nitt.edu

1. Quotations should be submitted in the format given in Annexure – I and Annexure-II
2. The envelope should contain the following details:

<p>“QUOTATION AGAINST ENQUIRY” (Tools & Dies For Research) NITT/F.NO.028/CAPEX/2021-22/PRO <u>Kind attention to:</u> Dr.V.Anandakrishnan Last date and Time for receipt of quotation : 28.03.2022 before 4.30 PM</p>
--



**NATIONAL INSTITUTE OF TECHNOLOGY
TIRUCHIRAPPALLI - 620 015**

Terms and Conditions:

1.	The quotation must be in the format furnished by NIT Tiruchirappalli and should be of typed format with proper signature of the authority, hand written rates and specification will not be accepted for evaluation. In case there is any unavoidable correction it should be clearly readable and properly attested. If not the quotation will not be considered. Hand written Quotation and incomplete will be rejected.
2.	a) Earnest Money Deposit (EMD) is to be submitted by way of Demand Draft drawn on any Nationalized bank in India in favor of "The Director, NIT, Tiruchirappalli" payable at Trichy. The bids submitted without EMD will be treated as non-responsive and will be rejected. EMD shall bear no interest. Bidder must fill the EMD returning Form (Annexure-III) and submit along with the quotation. EMD for this particular quotation is Rs. 1,496 (2%) b) EMD exemption will be given as per the GOVT of India norms. c) Canvassing by the Bidder in any form, unsolicited letter and post-tender correction will leads to rejection of the bid and result in forfeiture of EMD.
3.	You are invited to submit your most competitive quotation for the supply of goods according to the specifications, warranty, delivery and other terms as given by the NITT in the Specification annexure.
4.	Bidders may send the quotations in sealed covers with the quotation reference number and last date for receipt of quotations duly superscribed on the cover. Kind Attention to: as mentioned in the point No. 6 NB: Mention the company Contact Number / E-mail id on the cover.
5.	Quotation will be opened on 29.03.2022 At 03.00 PM at the Stores and Purchase Section, NIT, Tiruchirappalli in presence of the tenderers or their representatives who may wish to be present. (Any change in the date, time and venue of the quotation opening will be informed to the bidders through telephone / E-mail)
6.	The National Institute of Technology, Tiruchirappalli reserves the right to accept or reject any quotations, and to cancel the bidding process, and reject all quotations at any time prior to the award of order without assigning any specific reason thereof.
7.	Eligibility: Participation in this Limited tender is by invitation only. For any details / clarifications regarding could be obtained, free of cost, from the National Institute of Technology, Tiruchirappalli on all working days during 10 AM to 5 PM.
8.	Please quote whether your organization is large scale industry or small scale industry. If you have NSIC Certificate, please attach it to the quotation. Mention your registration details
9.	Manufacturer's name and country of origin of materials offered must be clearly specified. Printed brochures, Complete details and ISI specification if any must accompany the quotation. Make / brand of the item shall be stated wherever applicable. If you have got any counter offer as suitable to the material required by us, the same may be shown separately.
10.	Samples must be submitted where specified along with the quotations. Samples must be carefully packed, sealed and labelled clearly with enquiry number, subject and sender's name for easy identification. Rejected samples will be returned at bidders cost only.
11.	All supplies are subject to inspection and approval before acceptance. Manufacturer / supplier warranty certificates and manufacturer / Government approved lab test certificate shall be furnished along with the supply, wherever applicable



NATIONAL INSTITUTE OF TECHNOLOGY

TIRUCHIRAPPALLI - 620 015

12.	National Institute of Technology, Tiruchirappalli reserves the right to modify the quantity specified in this enquiry by +/- 25%.
13.	Bid Price <ol style="list-style-type: none">The contract shall be for the entire quantity. Bidders must quote for entire quantity. Each bidder shall submit only one quotation in Indian Rupee only.List of reputed customers should be submitted, wherever applicable.The rates quoted by the bidder shall be fixed for the duration of the contract and shall not be subject to adjustment on any account.All taxes, packing, forwarding and delivering other allied items at the destination shall be included in the price. All such price components may be shown in the quotation. If there is no indication regarding above charges. It will be considered as inclusive of all charges.In case of any discrepancy between unit price and total, the unit price shall prevail.In case the items in the enquiry are covered by any rate contract or any other state or central Government, it should be specified in your quotation and accepted contract rates should also be mentioned. It should be confirmed whether you could supply at the RC rates outside rate contractQuotations containing conditions like "subject to prior sale" may not be considered.Delivery period required for supplying the material should be invariably specified in the quotationOffer from Manufacturer / Authorized dealer / reputed contractor alone will be accepted.
14.	Evaluation of quotations: Quotations will be evaluated item-wise or lump sum basis. The purchase committee will evaluate and compare the quotations determined to be substantially responsive i.e. (i) are properly signed; (ii) Conform to the terms & conditions and specifications; and (iii) price offered are competitive.
15.	Award of contract <ol style="list-style-type: none">The National Institute of Technology, Tiruchirappalli will award the Order for supply of Goods / Services to the bidder whose quotation has been determined to be substantially responsive, and who has offered the lowest evaluated quotation price.The Bidder should furnish the contract agreement and performance security within 15 days from the date of receipt of the order for supply of goods / services, failing which the order will be cancelled without further notice and awarded to next eligible bidder.Notwithstanding the above, National Institute of Technology, Tiruchirappalli reserves the right to accept or reject any quotations, and to cancel the bidding process, and reject all quotations at any time prior to the award of order without assigning any specific reason thereof.National Institute of Technology, Tiruchirappalli, prior to the expiration of the quotation validity period, will notify the bidder whose bid is accepted for the award of contract. The terms of accepted offer shall be incorporated in the purchase order.
16.	Warranty: 12 Months shall be applicable to the supplied goods and installation work. Bidder should clearly indicate the arrangements for support and maintenance during the period for which the warranty shall be in force.
17.	Performance Security: The successful bidder need to submit performance security for an amount of Percentage 3% of purchase order value either in the form of bank guarantee or crossed demand draft drawn on any Nationalized bank in India in favor of "The Director, NIT, Tiruchirappalli" payable at Trichy. The bank guarantee / Demand Draft will be returned to the supplier after 60 days from date of successful completion of supply, installation, and the warranty period.
18.	Payment: 100% will be paid after Installation and satisfactory working/date of completion of service if the documents are in order. The bill should be raised in favor



NATIONAL INSTITUTE OF TECHNOLOGY

TIRUCHIRAPPALLI - 620 015

	of "The Director, National Institute of Technology, Tiruchirappalli, Tamil Nadu, India." with institute GST No. 33AAATN5491Q1ZZ. No advance will be provided to the supplier/service provider.
19.	GST: This institution has been included in the list of institutions approved for availing exemption from the payment of GST for research purchases under notification no. 45/2017 central tax – (rate), date: 14-11-2017 / notification no. 47 / 2017 integrated tax – (rate), dated: 14-11-2017
20.	Liquidity damages: If the bidder / supplier, after accepting the Purchase Order or supply of Goods / Services, fails to deliver any or all of the Goods or to perform Services within the period(s) specified in the Order, The National Institute of Technology, Tiruchirappalli shall impose penalty without assigning any reasons to the bidder / supplier a sum equivalent to 0.50 % of the total cost as indicated in the Purchase Order (which will be deemed as agreed price) for each week or part thereof of delay until actual delivery or performance is completed and such penal charges shall be limited to a maximum of 5% of the agreed price. Once the maximum is reached The National Institute of Technology, Tiruchirappalli, may proceed on its own to consider the termination / cancellation of the Order and may inform the bidder about the cancellation of the said purchase order. unless extension is obtained in writing from the office / Department mentioning the levy of LD clause on valid ground before expiry of delivery period
21.	If the deliveries are not maintained and due to that account Procuring Entity is forced to buy the material at your risk and cost from elsewhere, the loss or damage that may be sustained there by will be recovered from the defaulting supplier
22.	Dispute clause: Any dispute relating to the enquiry shall be subject to the jurisdiction of the court at Tiruchirappalli only

ACCEPTANCE BY THE BIDDER

I/We hereby certify that I/We shall abide hereby the terms and conditions and the Annexures of this limited quotation.

Signature & Seal of Vendor with Date

For any details / clarifications regarding could be obtained from Stores and Purchase Section on all working days during 10 AM to 5 PM.

For further detail related to Technical specifications kindly contact Dr.V.Anandakrishnan (Purchase initiator), **PRODUCTION ENGINEERING**, krishna@nitt.edu, **0431 250 3500**.

(NB: Mention the Contact Number / E-mail on the cover. Any change in the date, time and venue of the tender opening will be informed to the bidders through telephone / E-mail)

Enclosures:

1) Specifications of the equipment	Annexure – I
2) Price Format	Annexure - II
3) EMD Return Format	Annexure – III
4) Bank Mandate Form	Annexure – IV



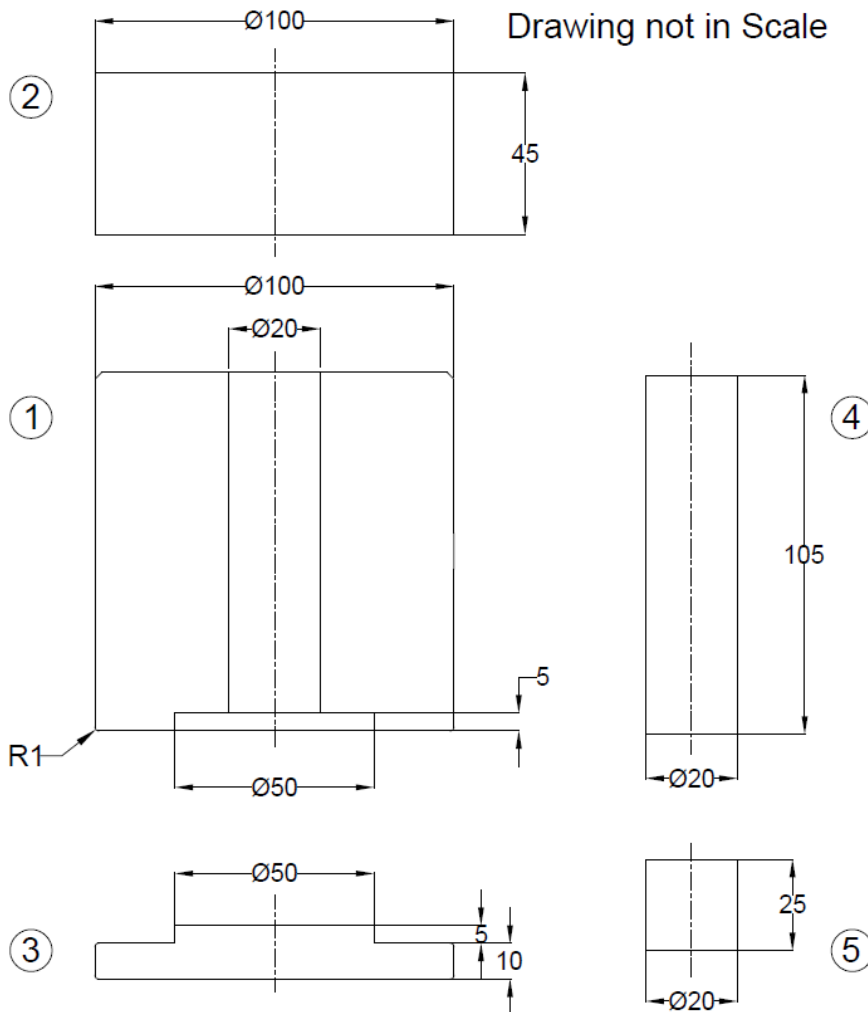
Specifications of the Equipment

Ref: NITT/F.NO.028/CAPEX/2021-22/PRO

Date: 7.03.2022

S. No	Specification of NIT-T	Specification of the Supplier	
		Make	
	Mentioned Below	Model	
		(No hand written)	
Reasons (if there is difference in specification)			
1.			
2.			

ALL DIMENSIONS ARE IN mm





**NATIONAL INSTITUTE OF TECHNOLOGY
TIRUCHIRAPPALLI - 620 015**

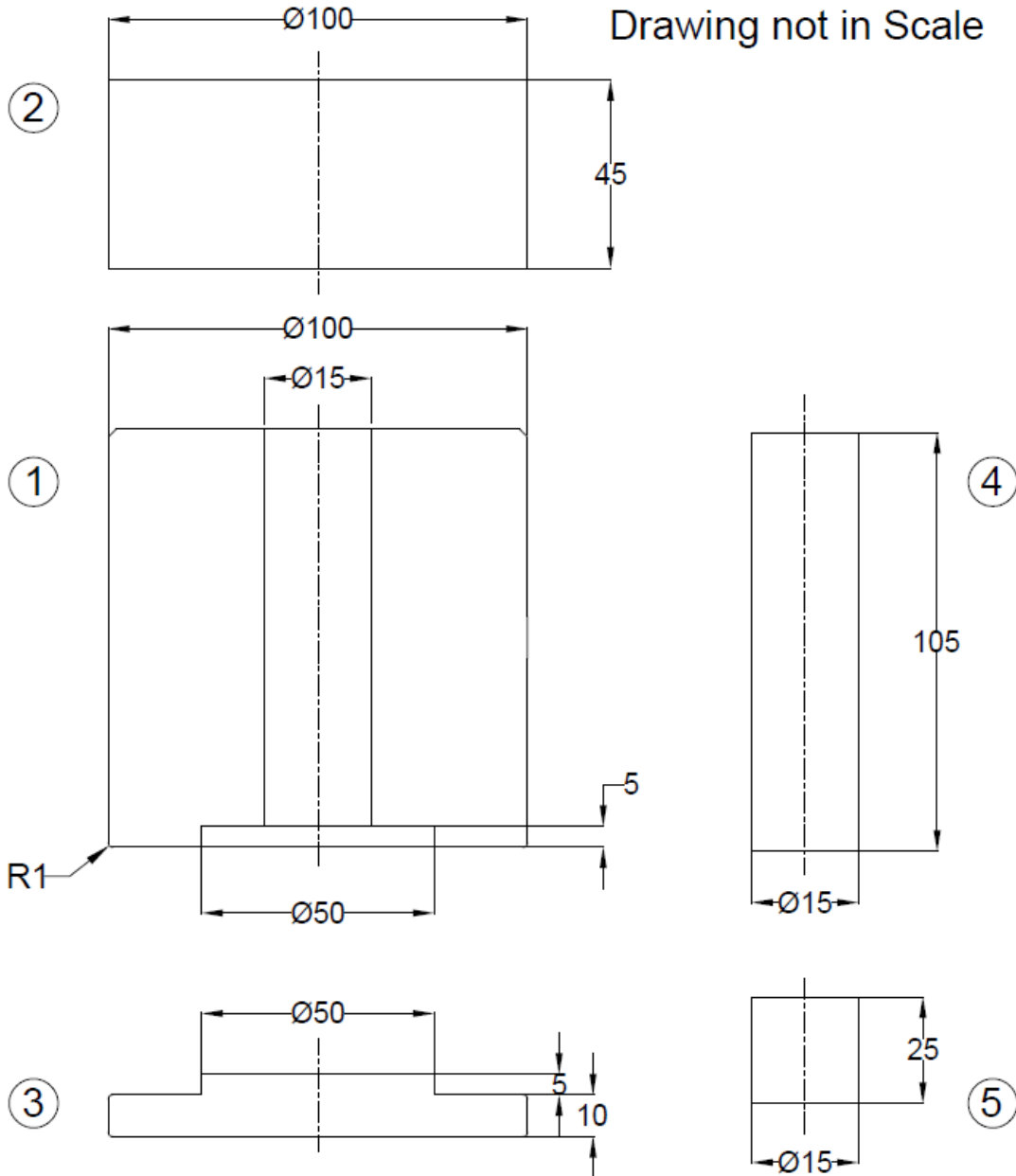
PART NO.	PART NAME	QUANTITY
1	DIE	1
2	PUNCH HEAD	1
3	DIE END	1
4	PUNCH	1
5	STUD	1

SPECIFICATION	REQUIREMENT
Material	H13 steel
Hardness	60 HRC
Design	As per the Drawing



ALL DIMENSIONS ARE IN mm

Drawing not in Scale



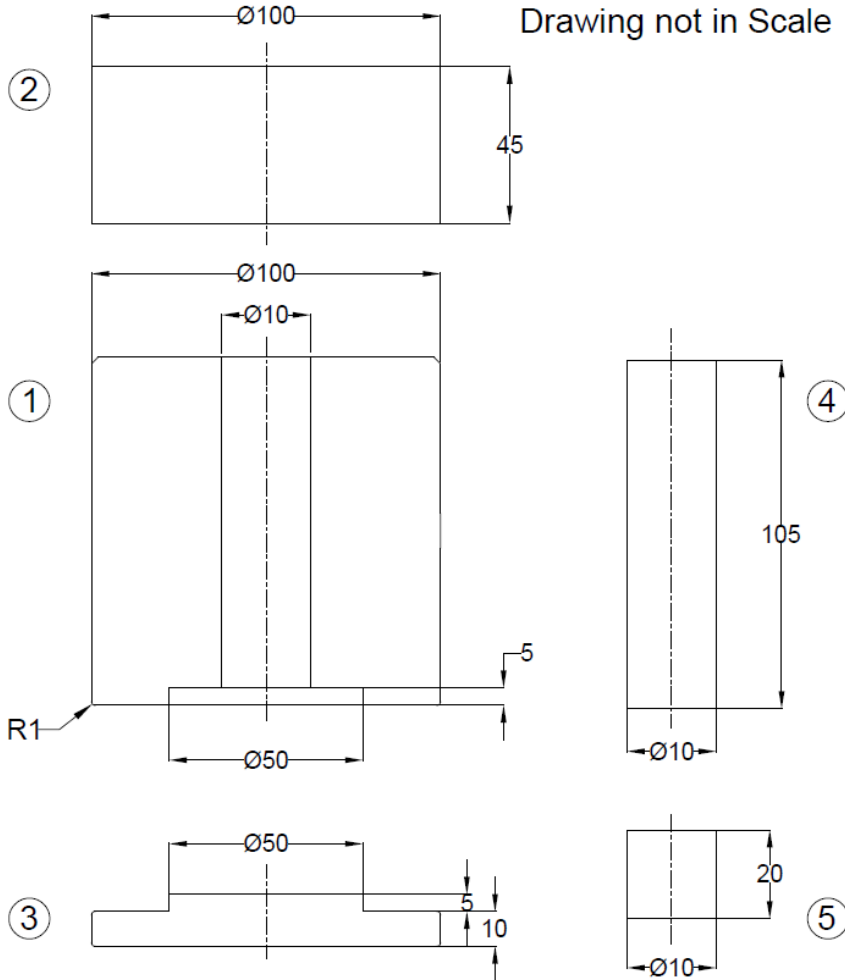
PART NO.	PART NAME	QUANTITY
1	DIE	1
2	PUNCH HEAD	1
3	DIE END	1
4	PUNCH	1
5	STUD	1



**NATIONAL INSTITUTE OF TECHNOLOGY
TIRUCHIRAPPALLI - 620 015**

SPECIFICATION	REQUIREMENT
Material	H13 steel
Hardness	60 HRC
Design	As per the Drawing

ALL DIMENSIONS ARE IN mm



PART NO.	PART NAME	QUANTITY
1	DIE	1
2	PUNCH HEAD	1
3	DIE END	1
4	PUNCH	1
5	STUD	1



**NATIONAL INSTITUTE OF TECHNOLOGY
TIRUCHIRAPPALLI - 620 015**

S.No	Other requirements related to the equipment	NITT Requirement	Supplier commitment
1.	Installation required	Yes	
2.	Warranty (in Month)	12Months	
3.	Comprehensive AMC required	Yes	
4.	Delivery Period (Weeks)	4-5 Weeks	
5.	Shipment terms		At NIT-T
6.	Performance Security in %		3%
7.	Payment Terms		100% Payment after satisfactory delivery/Installation
8.	EMD Amount (2 to 5)%		Rs. 1,496 (2%)

Signature & Seal of Vendor with Date

Note:

Specification of the Supplier should be given in detail, single word confirmation like Complied / Yes / same will be treated as non - responsive Bid and summarily rejected. Proof for the supplier's specification must be enclosed along with the quotations. (catalogue, brochure, and product website link if any)

**NATIONAL INSTITUTE OF TECHNOLOGY****TIRUCHIRAPPALLI - 620 015****DEPARTMENT OF PRODUCTION ENGINEERING****Annexure- II****PRICE BID FORMAT FOR BIDDERS**

Quotation reference No. & Date : NITT/F.NO.028/CAPEX/2021-22/PRO

Bidder's Offer No. & Date :

S. No.	Description of item	Unit (Set / No)	QTY	Rate / Qty in Rs. (excluding GST)	GST in Rs.			Total Value + GST in Rs.
					SGST	CGST	IGST	
1.	Supply portion (The price indicated shall be exclusive of all accessories, spares etc. as given in the scope of supply)	<u>Nos</u>	<u>3</u>					
2.	Other accessories / spares etc. as given in scope of supply (Individual item-wise break-up price shall be attached as an annexure to this price bid format.)							
3.	Installation and Commissioning (extra, if any)	<u>Yes</u>						
4.	Packing & Forwarding charges (extra, if any)							
5.	Freight & Transit insurance charges, extra, if any							
6.	Total price							
7.	Value of Annual Maintenance Contract							
8.	Net cost to be paid by NIT-T							

Signature & Seal of Vendor

Note: The price quoted should be in Typed format only as per the above form. Hand written quotes will be rejected. No row shall be left blank, Kindly mention NA in case the item is "Not Applicable". If this format is not used or any column is left blank, then the bid will be rejected. AMC Value will not consider for arriving L1 bidder.



NATIONAL INSTITUTE OF TECHNOLOGY

TIRUCHIRAPPALLI - 620 015

(TO BE PRINTED IN LETTER PAD OF THE FIRM)

EMD Returning Form

To
The Director
National Institute of Technology,
Tiruchirappalli – 620 015

Sub: Returning EMD amount

Sir / Madam,

Our firm has participated in the tender / quotation enquiry No mentioned below and produced the EMD amount through DD, details of the DD are given below.

Tender / Quotation Reference No	
EMD amount	
DD Number	
DD issued Bank	
Date of DD	

It is requested to return the EMD amount to our firm after completion of the purchase to the below mentioned Bank account.

Account Name	
Bank Account Number	
IFSC code	
Bank	

Signature with Seal and Date

(TO BE PRINTED IN LETTER PAD OF THE FIRM)



NATIONAL INSTITUTE OF TECHNOLOGY
TIRUCHIRAPPALLI - 620 015

Annexure – IV

MANDATE FORM FOR ELECTRONIC FUND TRANSFER/RTGS TRANSFER

Date: / /

To

The Director,
National Institute of Technology,
Tiruchirappalli – 620 015, Tamil Nadu

Sub	:	Authorization for release of payment / dues from National Institute of Technology, Tiruchirappalli through Electronic Fund Transfer/RTGS Transfer.
-----	---	--

1. Name of the Party / Firm / Company / Institute :
2. Address of the Party :
3. City _____ Pin Code _____
4. E-Mail _____ Mobile No: _____
5. Permanent Account Number _____
6. Particulars of Bank:

Bank Name:		Branch Name:	
PIN Code:		Branch Code:	
IFS Code:(11 digit alpha numeric code)			
Account Type	Savings	Current	Cash Credit
Account Number:			

DECLARATION

I hereby declare that the particulars given above are correct and complete. If any transaction delayed and not effected for reasons of incomplete or incorrect information I shall not hold Director, National Institute of Technology Tiruchirappalli responsible. I also undertake to advise any change in the particulars of my account to facilitate updating of records for purpose of credit of amount through NEFT/RTGS Transfer.

Place: _____ Date: _____

Signature & Seal of the Authorized Signatory of the Party